



Universal reactor for laboratory "RV-12"

ADAPTABLE TO ALL NORMALIZED GLASS ELEMENTS WITH 100 MM MOUTH.

REACTOR CAPACITY: 6 OR 12 LITRES.

APPLICATIONS

Universal reactor suitable for all laboratory and pilot plant's operations.

FEATURES

Standard mouth for connection to DN100 glass reactor's covers.

Reactor in AISI 316 stainless steel, with a capacity of 12 litres and with a drain tap.

STANDARD EQUIPMENT

1. **Standard support.** Part No. **1001748**
2. **Reactor** in stainless steel AISI 316, capacity: 12 litres with drain tap. External sizes: Height 38cm x 25cm Ø. Weight: 4.5 Kg Part No. **1001746** or 6 litres with drain tap. External sizes: Height 28cm x 25cm Ø. Weight: 3 Kg. Part No. **1001726**.
3. **Clamp with support ring** for the reactor. Part No. **1001747** + **1001974** for 10-20 litres.

COMPLEMENTOS

4. Addition graduated **funnel** of 250 ml. PTFE frosted wrench 29/32. Part No. **1001795**.
 5. **Frame** for stirrer clamping. Part No. **1001770**
 6. **HEI-Torque stirrer** with adjustable speed. Part No. **5016041**
 7. **PTFE stirrer guide.** Part No. **1001788**
 8. Double effect **Refrigerant** "Dimroth". 30 cm de length. Part No. **1001792**
 9. **Electronic regulator ELECTEMP-TFT.** Part No. **3000897** with connector for internal emperature control, if the heating mantle is used.
 10. **Support plate** with bosshead for Electemp-TFT regulator. Part No. **1001750**
 11. **Pt100 probe** Part No. **1001749** 400 mm length x Ø 4 mm, with connection cable to Electemp-TFT regulator.
 12. **5 mouths cove** type UK. Part No. **1001790**
 13. **Ring holder** with double bosshead for heating mantle. Part No. **1001751**
 14. **Heating mantle** with double heating element for temperatures up to 400°C. Power consumption 1400W. Part No. **3001752**
 15. **Double bosshead MAXIM.** Part No. **7000408** and clamp for refrigerant. Part No. **1001765**
 16. **Anchor shape stirring shaft**, Ø 9,5 mm in PTFE. (length 65 x shovel width 10 cm). Part No. **1001822**
 17. **Helix shape stirring shaft**, Ø 9,5 mm in PTFE. and PTFE shovel (length 65 x shovel width 7cm). Part No. **1001789**
 18. **Folding shovels stirring shaft**, Ø 9,5 mm in PTFE. (length 65 x shovel width 7cm). Part No. **1001859**
 19. **Clamp resistance** with internal ceramic insulation and AISI 304 stainless steel exterior. 400°C, 1500W power consumption. Part No. **1001947**
 - High vacuum grease.** Dow Corning. -40 to +200°C. For pressures up to 10-6 mm Hg use. Part No. **1001915**
 20. **PTFE expansion/contraction bellows** for coupling between mouth and coolant. Part No. **1001825**
 - Faucet** in PTFE frosted 29/32. Part No. **1001793**
 - Adapter set for PT100 probe.** Frosted 14/23. Part No. **1001933**
 - Adjust 29/32 to olive 12mm** for coolant and funnel. Part No. **1001794**
 - Stopper 29/32** for lid and funnel. Part No. **1001796**
- For DN150 type GR reactors:
- Standard support** for frame and clamp. Part No. **1001748**
 21. **Clamp** for DN150 type GR reactors subjection. Part No. **1001787**
 22. **Frame for clamp** Supplied with two AISI 304 stainless steel bars Ø 20mm and 500 mm length. Part No. **1001767**

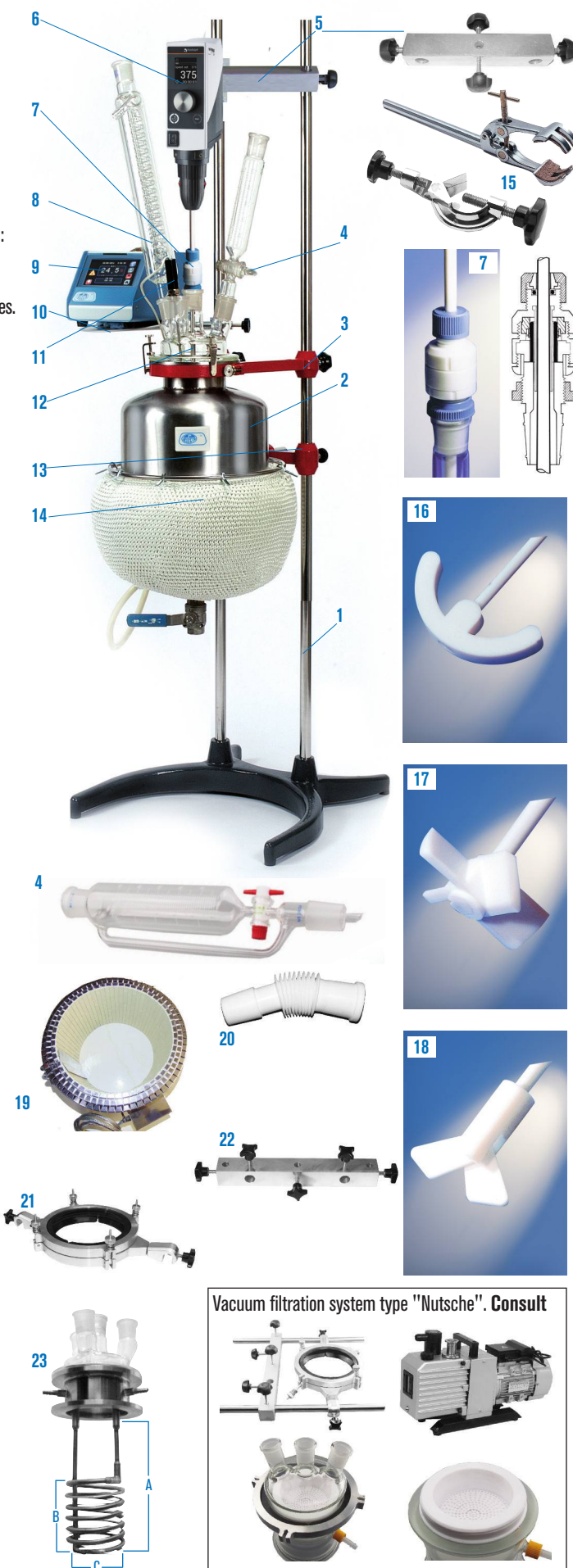
OPTIONAL

23. . AISI 304 stainless steel device, with double standard mouth and coil for heating or cooling the liquid inside the reactor. Coil measures: A: 26 cm. B: 15 cm. C: 10 cm. Part No. **1001755**

This device can be coupled to the universal reactor Part No. **1001746**.

Note: To be able to hold the Part No. **1001755** to the reactor, a ring holder Part No. **1001758** and a clamp bracket set Part No. **1001852** is necessary.

Note: By using the coil (23) laboratory tests have been carried out with silicone oil "47 V50" (Part No. **1000027** 4 litres) and with **Ultraterm-TFT-200** thermostaat. Part No. **3000554** (See page. 101) reaching temperatures up to 170°C in 35' inside the reactor properly insulated with "durablanket120". With the methanol fluid transmitter liquid and the **Frigiterm-TFT-30** thermostat. Part No. **3000553** (See page. 101) temperatures up to -21°C have been reached in 57' inside the isolated reactor with "durablanket120".





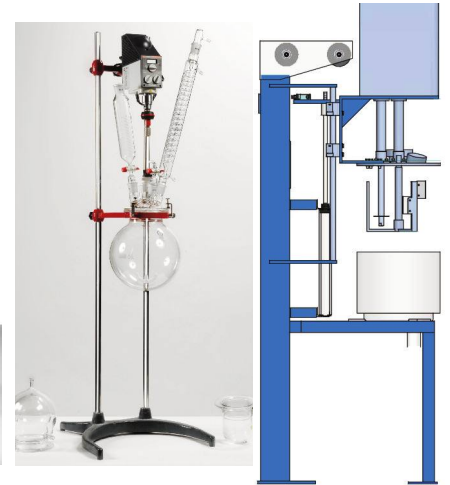
Customizable reactors on demand

FOR LABORATORY AND PILOT PLANT WITH HEATING AND COOLING SYSTEMS
 BOROSILICATE GLASS 3.3. CAPACITY: FROM 0,5 UP TO 100 LITRES.
 AISI 304 - 316 - 316L STAINLESS STEEL LITRES CAPACITY: FROM 12 UP TO 100 LITRES.

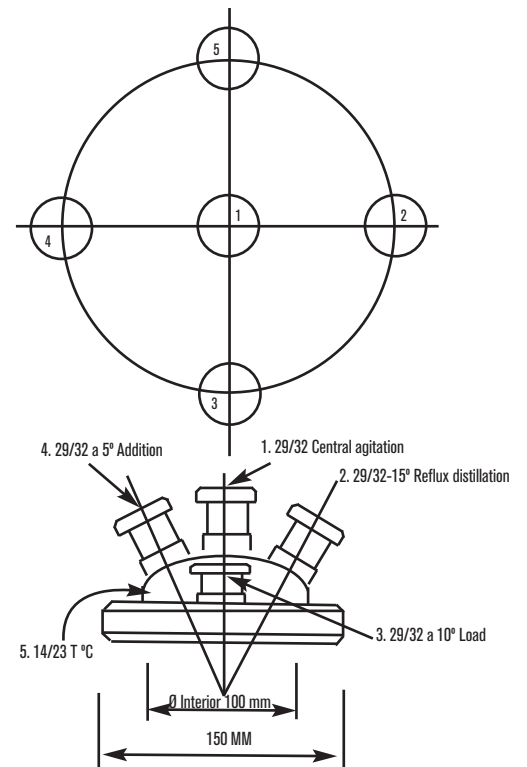
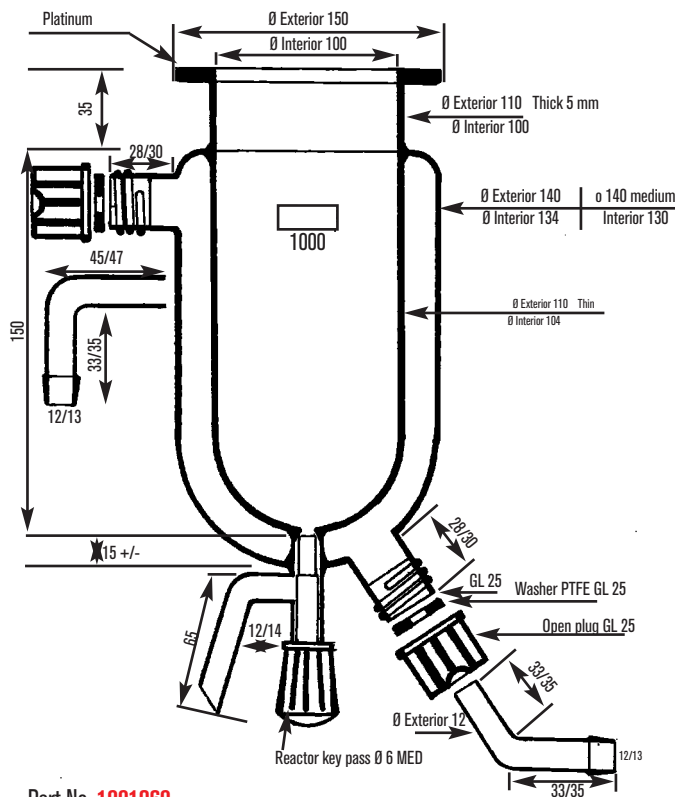
Borosilicate glass 3.3: Spherical, cylindrical and thermostatic with or without PTFE release valve with temperature control accessories, PH, oxygen, turbidity, etc. Heidolph stirring systems and variable PTFE blades.

Aisi 304 - 316 - 316 L : Cylindrical and thermostatic with or without release valve. With temperature control accessories, PH, oxygen, turbidity, etc.

Fixed and variable stirring systems of different powers according to viscosity and density, combined with stirring elements, dispersers and emulsifiers micronizers and helical.
REQUEST INFORMATION.



Parts and assembly of reactors. Ø 100 UK



- Reactor 0,5 liters. Part No. **1001960**
- Reactor 1 liters. Part No. **1001880**
- Reactor 2 liters. Part No. **1001879**
- Reactor 10 liters. Part No. **1001961**

Reactor cover 5 mouths. Part No. **1001790**
 Reactor cover 5 mouths. Part No. **1001892** With SAV thread.