



HY10.16.HRP.M3 High Resolution Scale

More information on the website
radwag.com/en/info,w1,LPS



HY10.16.HRP.M3 High Resolution Scale

Functions



Dosing



Labelling



Plus/Minus Control



Percent Weighing



Totalizing



Parts counting



Peak hold



Formulation



Newton unit measurement



Statistics



Checkweighing



GLP Procedures



Animal weighing



Differential weighing



Replaceable unit



Statistical Quality Control



ALIBI Memory



Transactions

Datasheet

| HY10.16.HRP.M3 High Resolution Scale | |
|--|---|
| Metrological parameters | |
| Maximum capacity [Max] | 5 / 10 / 16 kg |
| Minimum load | 10 / 20 / 40 g |
| Preload range | 4 kg |
| Readability [d] | 0,5 / 1 / 2 g |
| Verification scale interval [e] | 0,5 / 1 / 2 g |
| Tare range | -16 kg |
| Maximum quantity of verification units | 10000 / 10000 / 8000 e |
| Repeatability | 0,15 / 0,3 / 0,6 g |
| Linearity | ±0,5 / ±1 / ±2 g |
| Stabilization time | 2 s |
| Adjustment | internal (automatic) |
| OIML Class | III |
| Physical parameters | |
| Display | 10,1" graphic colour touchscreen |
| Weighing pan dimensions | 360×280 mm |
| Packaging dimensions | 560×473×360 mm |
| Net weight | 24,7 kg |
| Gross weight | 28,7 kg |
| Communication interface | |
| USB | ×2 |
| Ethernet | ×1 |
| RS232 | ×2 |
| Optional add-on modules | |
| Wi-Fi module (option) | 802.11 b/g/n |
| RS485 module (option) | 1 |
| Profibus module (option) | DP SLAVE |
| PROFINET module (option) | 1 × RJ45 |
| Analog output module (option) | 4-20mA, 0-20mA, 0-10V |
| Inputs/Outputs (option) | 12IN / 12OUT (IN – 5-24 VDC, OUT – max 30 VDC, 0,5 ADC) |
| Electrical parameters | |
| Power supply | 100 or 240 V AC 50/60 Hz |
| Environmental conditions | |
| Operating temperature | +10 ÷ +40 °C |
| Relative humidity | 40% ÷ 80% |

* Wi-Fi® is a registered trademark of Wi-Fi® Alliance.



Accessories

RS 232 cables (scale - ZEBRA printer)
RS 232 cables (scale - printer)
Barcode scanners
Displays
RS 232 cables (scale - Ethernet)

Label Printers
RS 232, RS 485 cables
Keypad, external switches
USB cable (scale - printer)
RS 232 – USB Converter

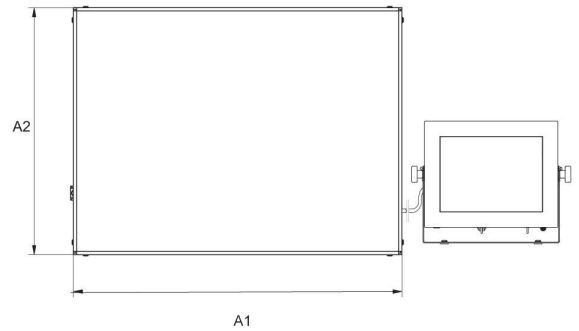
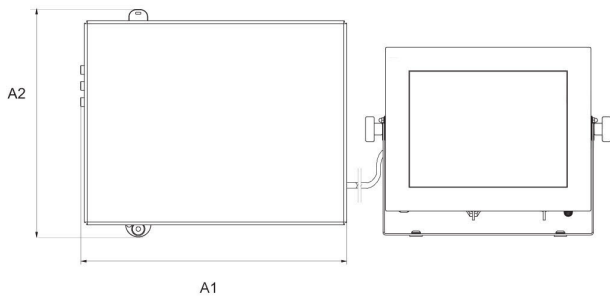
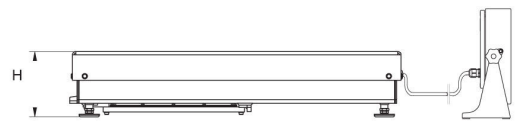
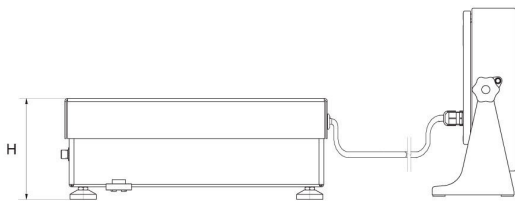
Software

E2R System
 Audit Trail Reader
 Label Editor R02
 R-LAB
 R.Barcode

RAD-KEY
 LabVIEW Driver
 RADWAG Remote Desktop
 RADWAG Development Studio
 Scales Editor 2.0

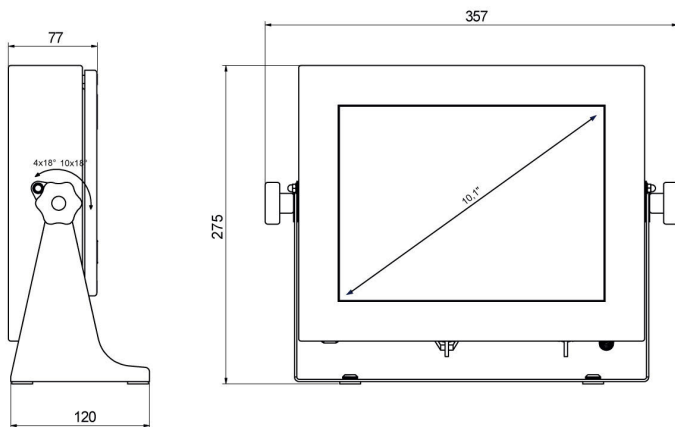
Device dimensions

HY10.16.HRP.M3 High Resolution Scale



HY10.16 - 32.HRP

HY10.HRP



PUE HY10

| Scale type | A1 | A2 | H |
|-----------------------|------|------|---------|
| HY10.16 - 32.HRP | 360 | 280 | 145 ± 5 |
| HY10.62 - 120.HRP | 500 | 500 | 158 ± 5 |
| HY10.150 - 300.HRP | 800 | 600 | 160 ± 5 |
| HY10.300.1 - 1100.HRP | 1000 | 800 | 186 ± 5 |
| HY10.2000.HRP | 1250 | 1000 | 247 ± 5 |

dimensions in mm