



More information on the website
radwag.com/en/info,w1,9P0

PS 4500.R1.M Precision Balance



Functions



Autotest



Dosing



Percent Weighing



Totalizing



Parts counting



Peak hold



Newton unit measurement



Statistics



Checkweighing



GLP Procedures



Animal weighing



Density determination

Datasheet

Metrological parameters	
Maximum capacity [Max]	4500 g
Minimum load	0,5 g
Readability [d]	0,01 g
Tare range	-4500 g
Repeatability (Max)	0,008 g
Repeatability (5% Max)	0,005 g
Linearity	±0,02 g

Metrological parameters	
Stabilization time	1,5 s
Adjustment	external
Sensitivity temperature drift	$2 \times 10^{-6} / ^\circ\text{C} \times \text{Rt}$
Protection class	IP 43
Physical parameters	
Levelling system	manual
Display	LCD (backlit)
Delivery components	Balance, weighing pan, weighing pan shield, power supply
Weighing pan dimensions	195×195 mm
Device dimensions	333×206×107 mm
Packaging dimensions	470×380×336 mm
Net weight	4,5 kg
Gross weight	6,1 kg
Communication interface	
Communication interface	2×RS232 ¹ , USB-A, USB-B, Wi-Fi (option)
Electrical parameters	
Power supply	Adapter: 100-240V AC 50/60Hz 0,6A; 12V DC 1,2A Balance: 12 – 15V DC 0,4A max
Power consumption max.	4 W
Environmental conditions	
Operating temperature	+10 ÷ +40 °C
Storage temperature	-20 ÷ +50 °C

Repeatability is expressed as a standard deviation from 10 weighing cycles. Stabilization time depends on the ambient conditions and the dynamics of weighing pan loading; specified for FAST profile. 1 Barcode scanners, available as weighing instrument accessory, communicate with the instrument via RS232 interface exclusively.

* Wi-Fi® is a registered trademark of Wi-Fi® Alliance.



Accessories

Balance Storage Case
Barcode scanners
Cigarette lighter receptacle power supply cables
USB cable (scale - printer)
Receipt Printer
Displays
Density determination KIT

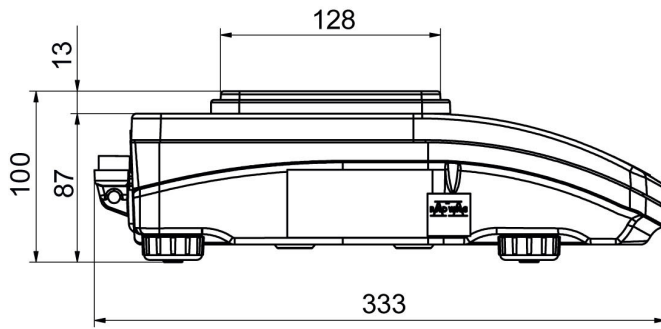
Protective cover for balances
AP2-1 Current Loop Unit
RPANEL BOX
RS 232, RS 485 cables
Under-Pan Weighing Rack
RS 232 cables (scale - printer)

Software

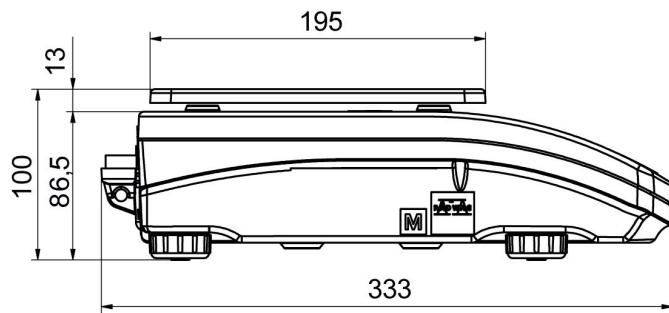
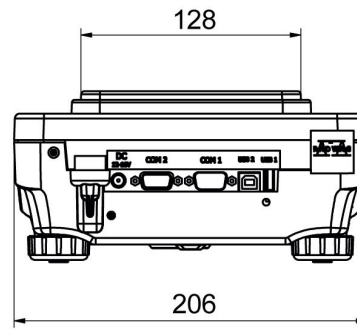
RAD-KEY
R Panel
R-LAB
E2R System

LabVIEW Driver
Alibi Reader
RADWAG Development Studio
R.Barcode

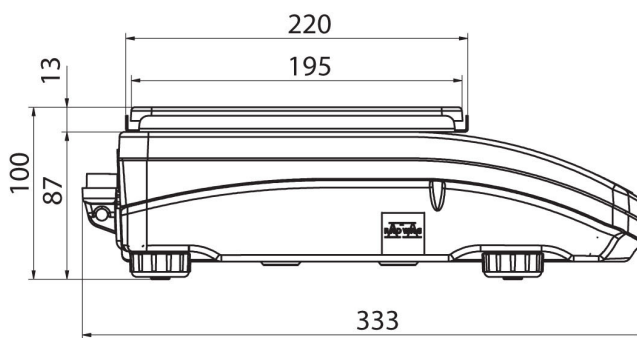
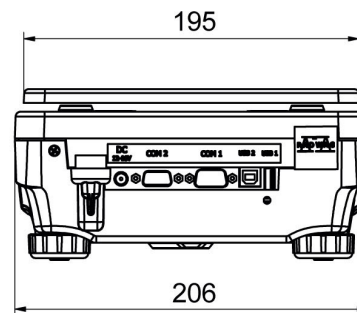
Device dimensions



PS R, d = 1mg



PS R, d = 10 mg



PS R.M, d = 10 mg

